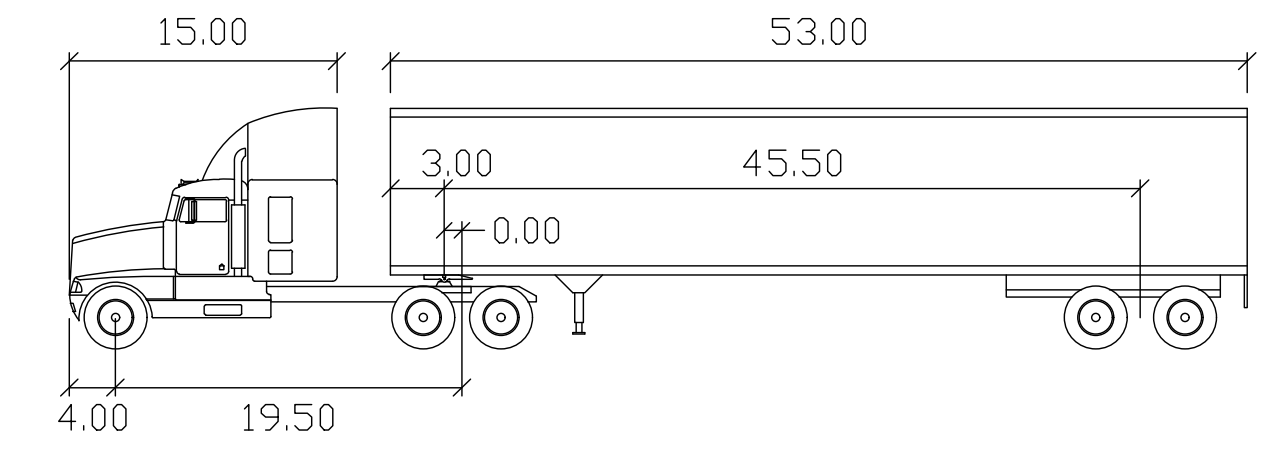
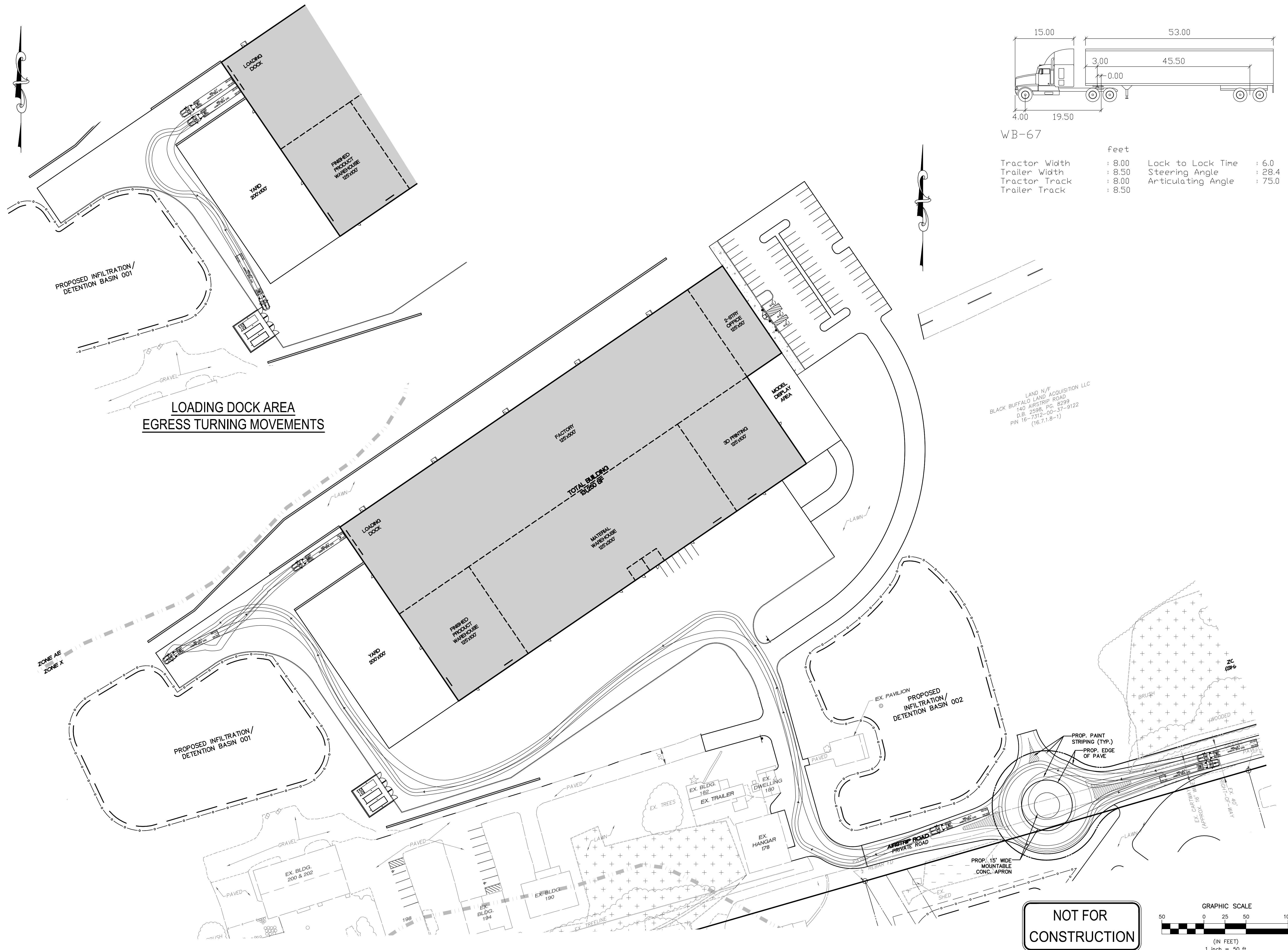




PROJECT INFORMATION:  
 FILE PATH: C:\Projects\JGPT\00022\Plans\  
 LAST SAVED DATE AND TIME: 28 Jun 2022, 5:41PM  
 LAST SAVE BY: D.Hilbert

COPYRIGHT 2022, T&M ASSOCIATES - ALL RIGHTS RESERVED. THE COPYING OR REUSE  
 OF THIS DOCUMENT OR PORTIONS THEREOF, FOR OTHER THAN THE ORIGINAL PROJECT  
 PURPOSES, IS EXPRESSLY INTENDED, WITHOUT THE WRITTEN PERMISSION OF T&M  
 ASSOCIATES IS PROHIBITED.

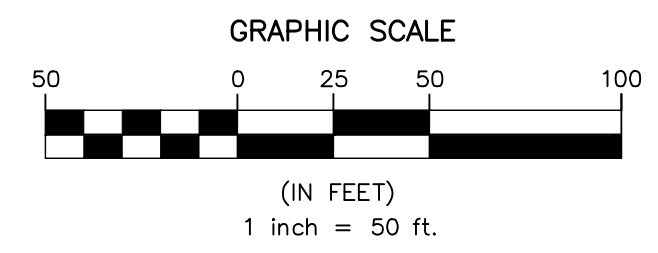


WB-67

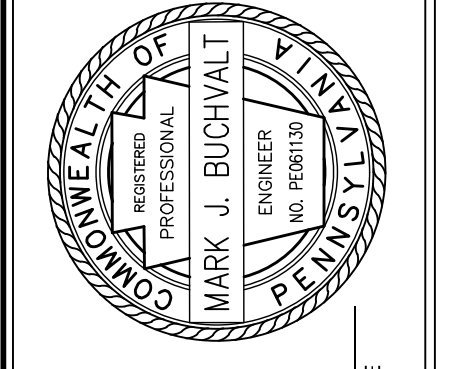
|               |        |                    |        |
|---------------|--------|--------------------|--------|
| Tractor Width | : 8.00 | Lock to Lock Time  | : 6.0  |
| Trailer Width | : 8.50 | Steering Angle     | : 28.4 |
| Tractor Track | : 8.00 | Articulating Angle | : 75.0 |
| Trailer Track | : 8.50 |                    |        |

LAND N/F  
 BLACK BUFFALO LAND ACQUISITION LLC  
 140 AIRSTRIP ROAD  
 D.B. 2598, PG. 8299  
 PIN 16-7312-00-37-9122  
 (16.7.1.8-1)

**NOT FOR CONSTRUCTION**



| NO. | BY | REVISIONS | DATE |
|-----|----|-----------|------|
|     |    |           |      |



**MARK BUCHVALT, P.E.**  
 LICENSED PROFESSIONAL ENGINEER

**PRELIMINARY/FINAL LAND DEVELOPMENT**  
**BLACK BUFFALO**  
**NEW LIGHT MANUFACTURING & WAREHOUSE FACILITY**  
 SMITHFIELD TOWNSHIP, MONROE COUNTY, PENNSYLVANIA

**WB-67 TRUCK**  
**TURNING MOVEMENTS**



**YOUR GOALS. OUR MISSION.**  
 74 WEST BROAD STREET,  
 SUITE 530  
 BETHLEHEM, PA 18018  
 TEL 610-625-2999  
 FAX 610-625-2969  
 www.landmassociates.com

OFFICES LOCATED IN:  
 DELAWARE, INDIANA, KENTUCKY,  
 MASSACHUSETTS, MICHIGAN, NEW JERSEY,  
 OHIO AND PENNSYLVANIA

|             |            |          |          |
|-------------|------------|----------|----------|
| DESIGNED BY | DCH        | DRAWING  | Feet     |
| CHECKED BY  | MJB        |          |          |
| DRAWN BY    | DCH        | SHEET    |          |
| DATE        | 06/29/2022 | <b>2</b> | <b>3</b> |
| SCALE       | 1"=50'     |          |          |
| PROJ. NO.   | JGPT00022  | OF       |          |

